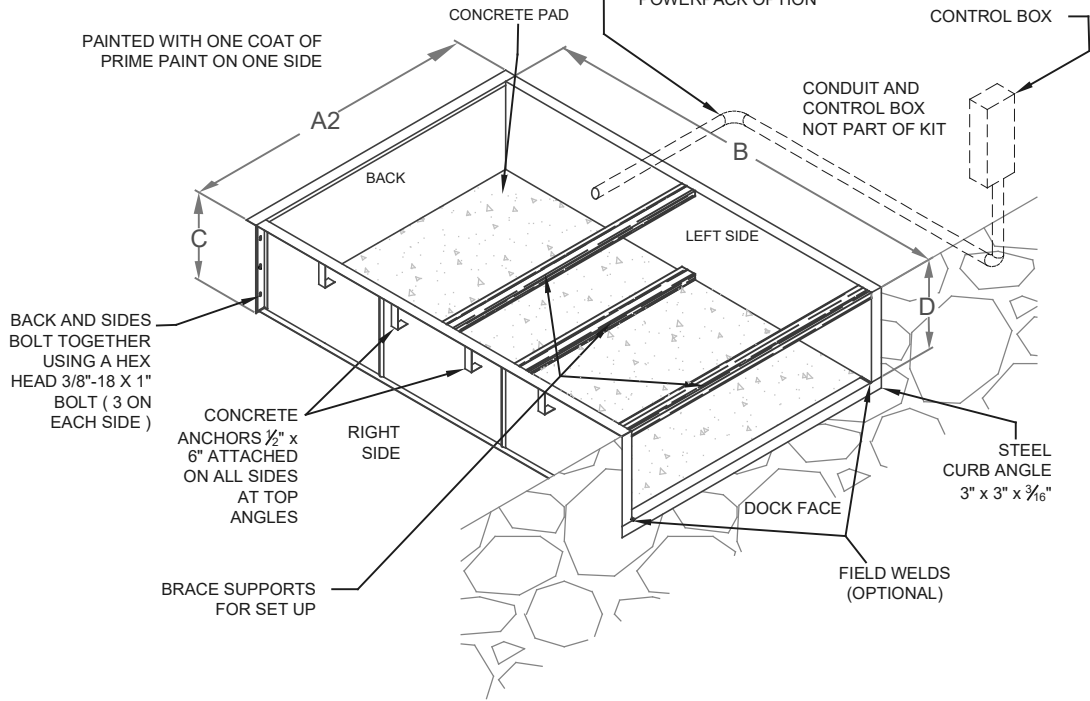


# PERMA DOCK PIT SPECIFICATION SHEET

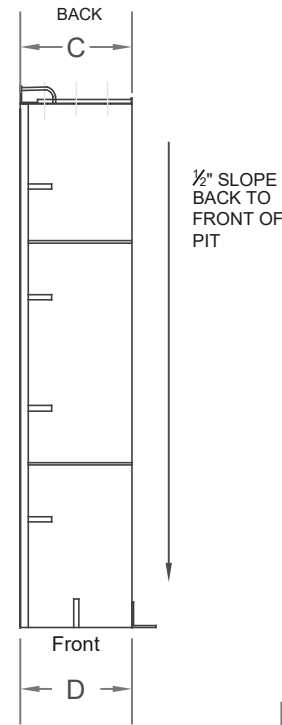
PERMA PITS ARE MADE OF 12 GA. SHEET STEEL WITH  $\frac{3}{16}$ " FRONT AND BACK ANGLES

1" CONDUIT FOR HYDRAULIC OR ELECTRICAL LINES

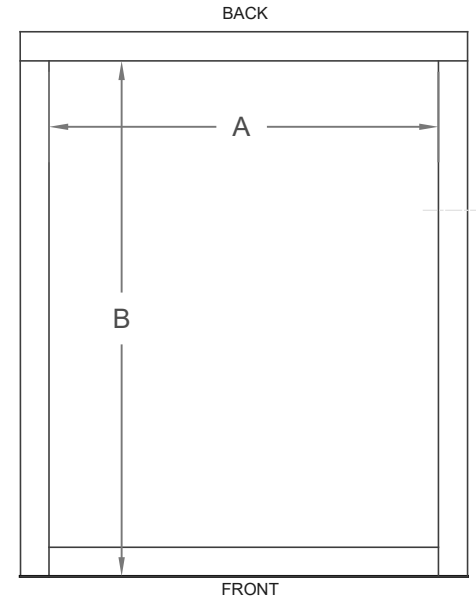
ADDITIONAL 2.5" CONDUIT NEEDED FOR REMOTE POWERPACK OPTION



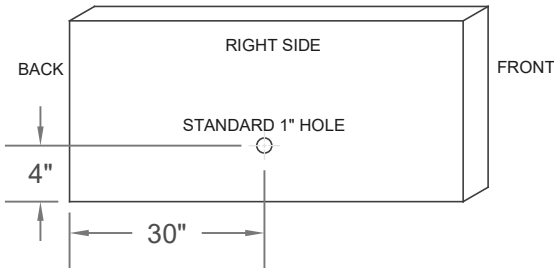
## SIDE VIEW



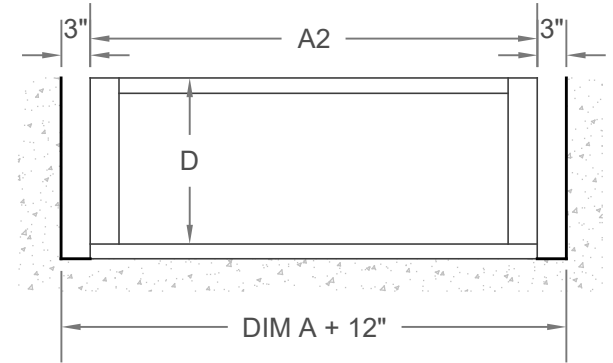
## TOP VIEW



## HYDRAULIC HOLE LOCATION



## FRONT VIEW



## HEAVY DUTY OPTIONS

3" X 3" X  $\frac{1}{4}$ " : FRONT:  BACK:  ALL:   
 4" X 4" X  $\frac{1}{4}$ " : FRONT:  BACK:  ALL:

MECHANICAL:  HYDRAULIC:  QUANTITY:

MODEL #:	DIMENSION A:	DIMENSION A2:	DIMENSION B:	DIMENSION C:	DIMENSION D:
66-20: <input type="checkbox"/> 66-24: <input type="checkbox"/>	74"	80"	63"	19.5" / 23.5"	20" / 24"
68-20: <input type="checkbox"/> 68-24: <input type="checkbox"/>	74"	80"	87"	19.5" / 23.5"	20" / 24"
610-20: <input type="checkbox"/> 610-24: <input type="checkbox"/>	74"	80"	111"	19.5" / 23.5"	20" / 24"
76-20: <input type="checkbox"/> 76-24: <input type="checkbox"/>	85"	91"	63"	19.5" / 23.5"	20" / 24"
78-20: <input type="checkbox"/> 78-24: <input type="checkbox"/>	85"	91"	87"	19.5" / 23.5"	20" / 24"
710-20: <input type="checkbox"/> 710-24: <input type="checkbox"/>	85"	91"	111"	19.5" / 23.5"	20" / 24"

## SPECIAL INFORMATION



JOB: \_\_\_\_\_

DEALER: \_\_\_\_\_ DATE: \_\_\_\_\_

CONTACT: \_\_\_\_\_ QUOTE #: \_\_\_\_\_

APPROVED BY SIGNATURE: \_\_\_\_\_